



Hard Drive Enclosure
Festplattengehäuse
Caja Para Disco Duro
Châssis Pour Disque Dur

Neutrino / SK-2500 / SK-3500 / SK-3501

EN

DE

ES

FR

**Manual
Handbuch
Manual
Manuel**

1/6/2012 - v1.1



© 2012 by AKiTiO - All Rights Reserved

The information contained in this document is believed to be accurate and reliable. AKiTiO assumes no responsibility for any errors or differences between the product you may have and the one mentioned in this document and reserves the right to make changes in the specifications and/or design of this product without prior notice. The diagrams contained in this document are for reference and may not fully represent the real product.

Detailed View - Detailansicht Vista Detallada - Vue Détaillée

LED indicator

Blue = Power ON, status ready

Flashing Blue = Power ON, read/write access

LED-Anzeige

Blau = Gerät und Strom eingeschaltet

Blau blinkend = Datenzugriff (schreiben/lesen)

Indicador LED

Azul = ENCENDIDO, espera

Azul intermitente = ENCENDIDO, acceso de lectura y escritura

Voyant DEL

Bleu = sous tension, statut prêt

Bleu clignotant = sous tension, accès lecture/écriture

USB 3.0

USB 3.0 SuperSpeed port

USB 3.0 SuperSpeed Anschluss

Puerto de USB 3.0 SuperSpeed

Port USB 3.0 SuperSpeed

DC 12V / DC IN +5V

Power receptacle

Netzanschluss

Toma de alimentación

Prise de courant

eSATA

eSATA port

eSATA Anschluss

Puerto de eSATA

Port eSATA

ON/OFF

ON/OFF switch

Ein-/Ausschalter

Conmutador de ENCENDIDO y APAGADO

Interrupteur MARCHÉ/ARRÊT

FW800

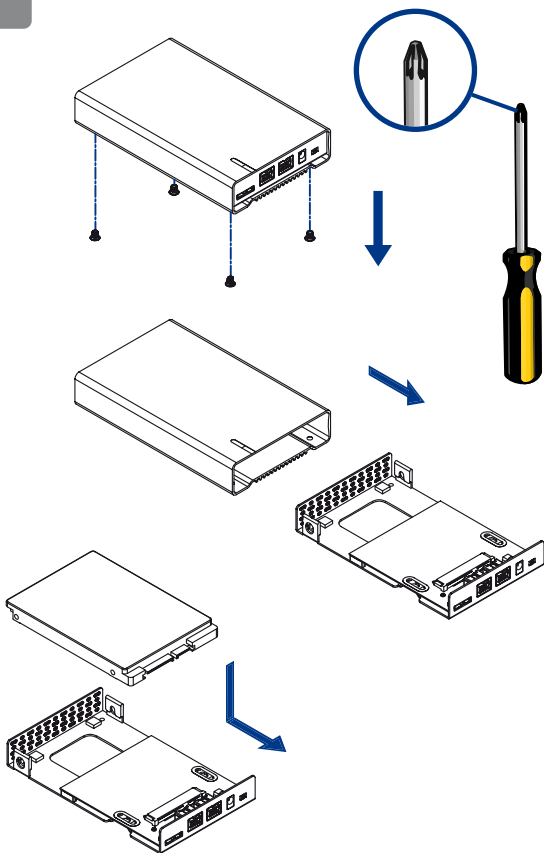
FireWire 800 ports

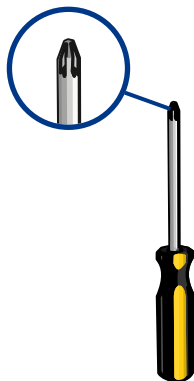
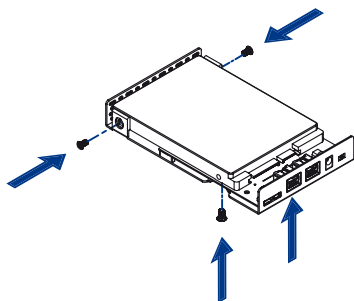
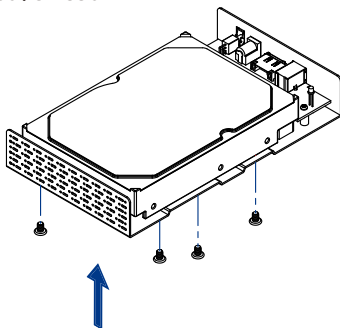
FireWire 800 Anschlüsse

Puertos FireWire 800

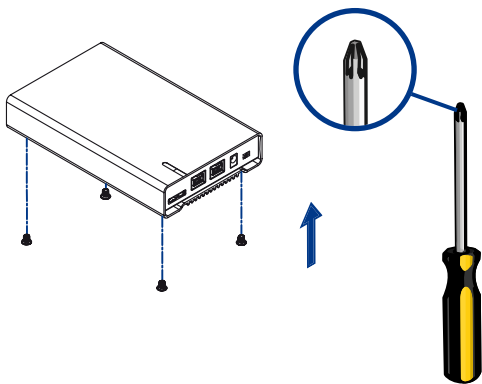
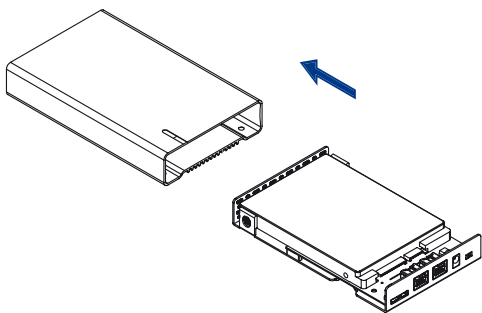
Ports FireWire 800

1

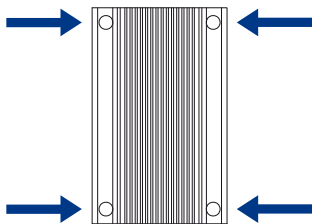
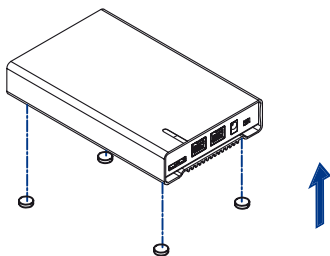


Neutrino / SK-2500**SK-3500 / SK-3501**

3



4



**Note:**

Für 3.5-inch hard drives and when bus-power is insufficient, plug in the external power supply.

Hinweis:

Für 3.5-Zoll Festplatten und wenn die Stromversorgung über das Datenkabel nicht ausreicht, schließen Sie das externe Netzteil an.

Nota:

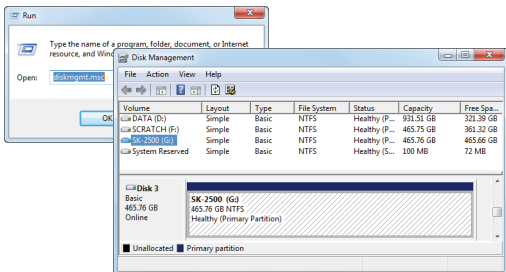
Para las unidades de disco duro de 3,5 pulgadas y cuando la alimentación del bus sea insuficiente enchufe la fuente de alimentación externa.

Note:

Pour les disques durs de 3,5 pouces et lorsque l'alimentation via bus est insuffisante, veuillez brancher l'alimentation externe.

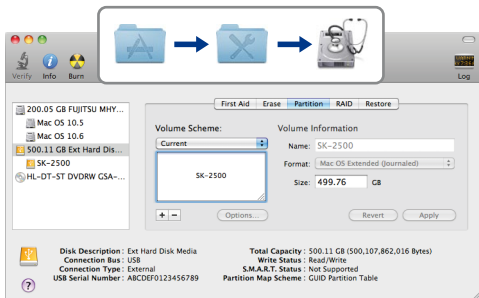
Windows

1. Start / Run --> diskmgmt.msc
2. NTFS



Mac

1. Applications / Utilities --> Disk Utility
2. Mac OS Extended (HFS+)



For more detailed instructions, please visit our website at <http://www.akitio.com/information-center/formatting-external-hard-drives>